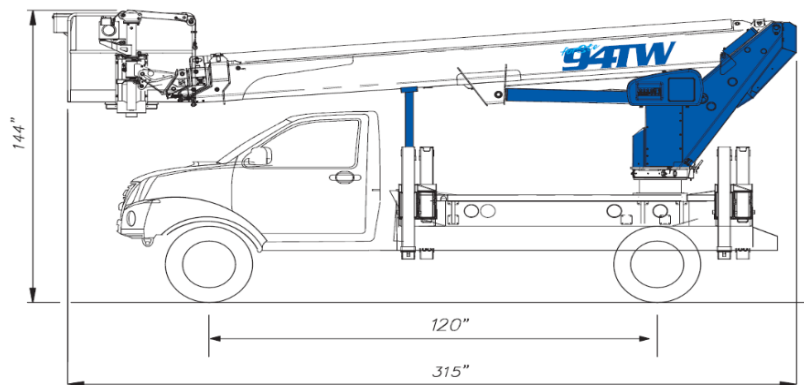


* 660 lbs (300 kg) jib winch + 660 lbs (300 kg) basket



for Ste
94TW

**MIN.
G.V.W.**

94'	87'	46'	55"x28"x43"	1320 lbs*	17600 lbs
-----	-----	-----	-------------	-----------	-----------

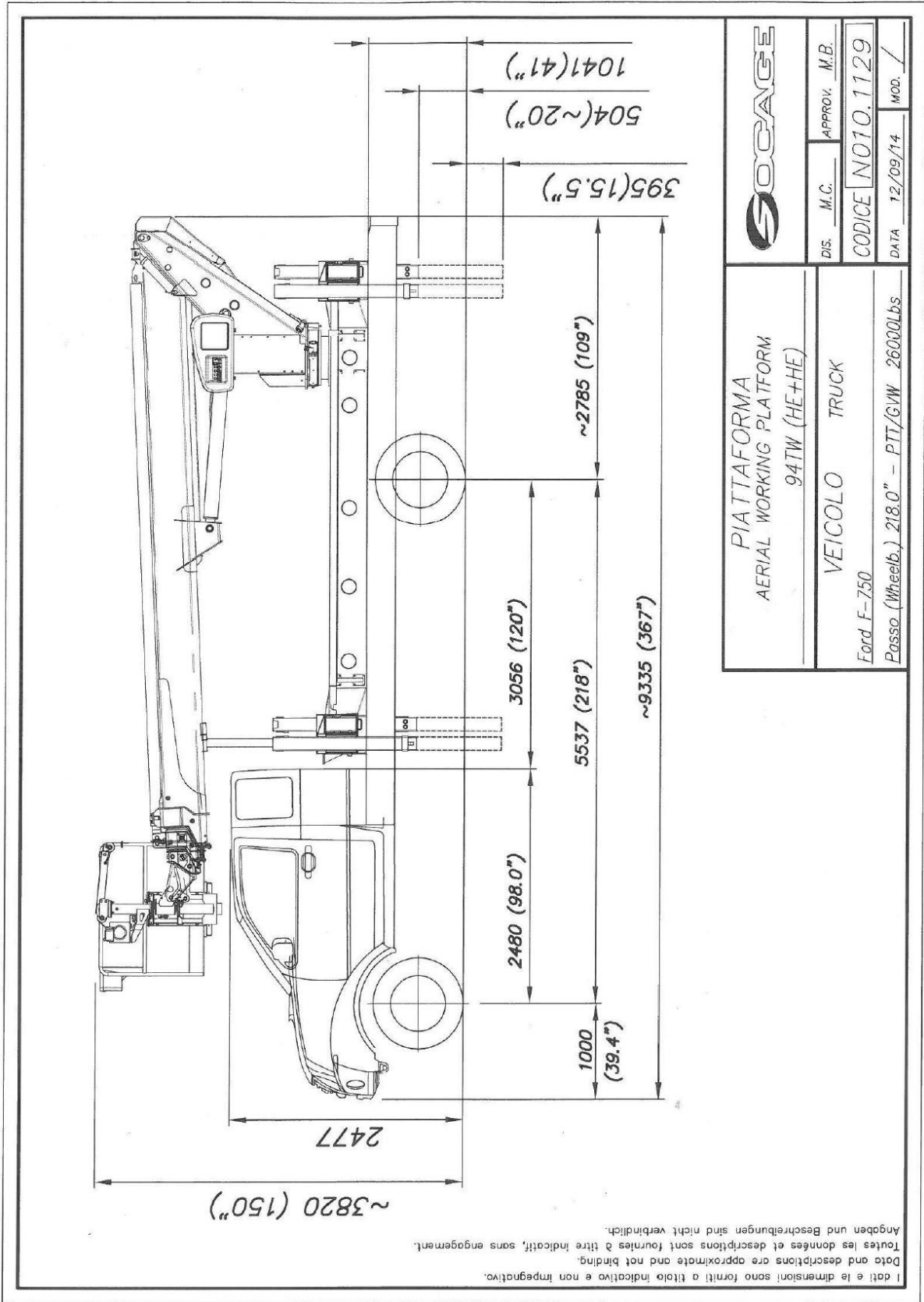
3.3 Technical features

Model	94TWW	SO-0077
Wheelbase Stabilization	HE+HE	Hydraulic extension
Standard capacity	Kg lb	300 660
Maximum work height	m ft	28.50 93 ft
Basket walking floor maximum height	m ft	26.50 87
PERFORMANCES (EXTENDED OUTRIGGERS)		
Maximum work reach	m ft	16.70 55
Basket maximum outreach	m ft	16,00 53
Maximum work reach (winch enable)	m ft	13.00 45
Basket maximum outreach (winch enable)	m ft	12,30 43
PERFORMANCES (CLOSED OUTRIGGERS)		
Maximum work reach	m ft	10.70 35
Basket maximum outreach	m ft	10,00 33
Maximum work reach (winch enable)	m ft	8.70 28.5
Basket maximum outreach (winch enable)	m ft m	8,00 26.5
Dimensions of aluminium basket	ft	4'7"x2'3"x3'7"
Dimensions of polyethylene basket (optional)	ft	4'7"x2'3"x3'9"
Superstructure rotation	°	700
Basket rotation	°	90° right, 90° left
Lifting speed	m/s	0.4
Extension speed	m/s	0.4
Rotation speed	m/s	0.7
Maximum load under the outriggers	Kg lb	8000 17600
Specific load under the outriggers	daN/cm ² lb/in ²	30 430
Travelling dimensions	See layout page 3.6	
Level of machine vibrations	m/s ²	< 0,25
Noise intensity level LWA	dB	80

Note: The noise produced is caused by the motor of the truck, the detection of the noise on the platform at 1.60 m from the walking floor during the ascent, descent and extension phases has not signalled noise pressure exceeding 80 dBA

important.: dimensions and weight reported have ± 5% of tolerance

GENERAL LAYOUT



I dati e le dimensioni sono forniti a titolo indicativo e non impegnativo.
 Toutes les données et descriptions sont fournies à titre indicatif, sans engagement.
 Angaben und Beschreibungen sind nicht verbindlich.

PIATTAFORMA AERIAL WORKING PLATFORM 94TW (HE+HE)	DIS. M.C. APPROV. M.B.
VEICOLO TRUCK Ford F-750	CODICE NO10.1129
Passo (Wheelb.) 218.0" - PTT/GVM 26000lbs	DATA 12/09/14 MOD. /