

forSte
BOS



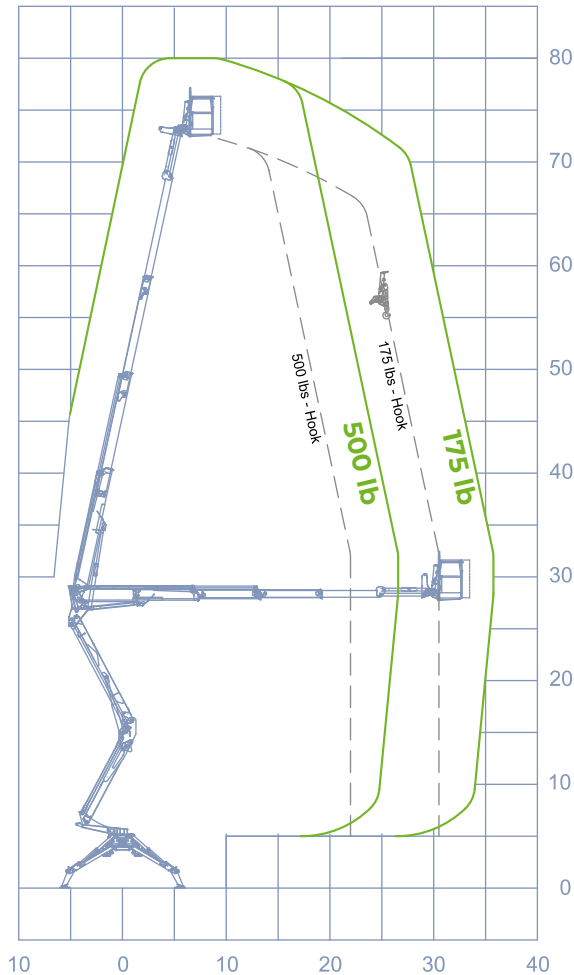


STANDARD ACCESSORIES

DATA SHEET

- Up & Over Reach: 30 feet
- Radio Controls
- Maneuver management system
- Go home function
- Automatic stabilization
- Diesel/petrol engine
- Auxiliary electric pump 110 V
- Adjustable Tracks
- No marking tracks
- Dual Stabilization
- Self loading on trailer
- MySocage: "Always Connected"

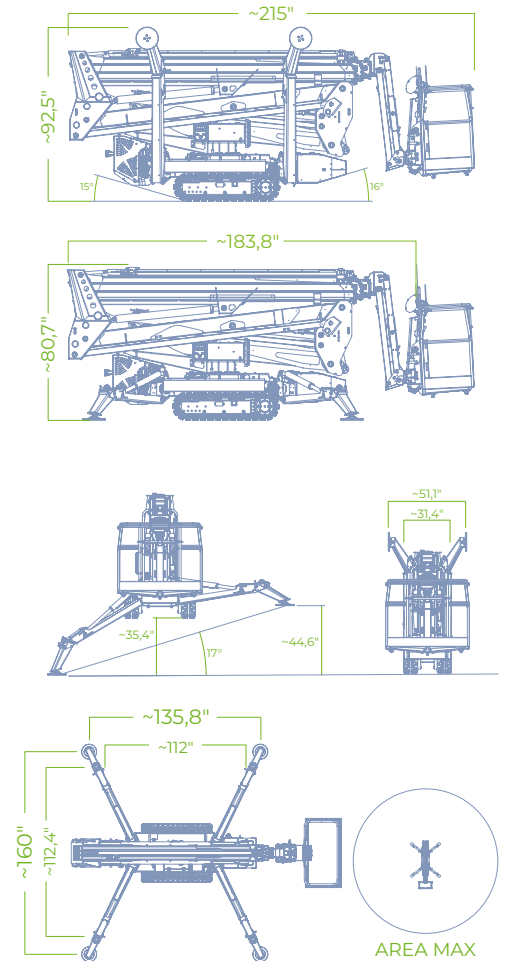
WORKING DIAGRAM



INFO

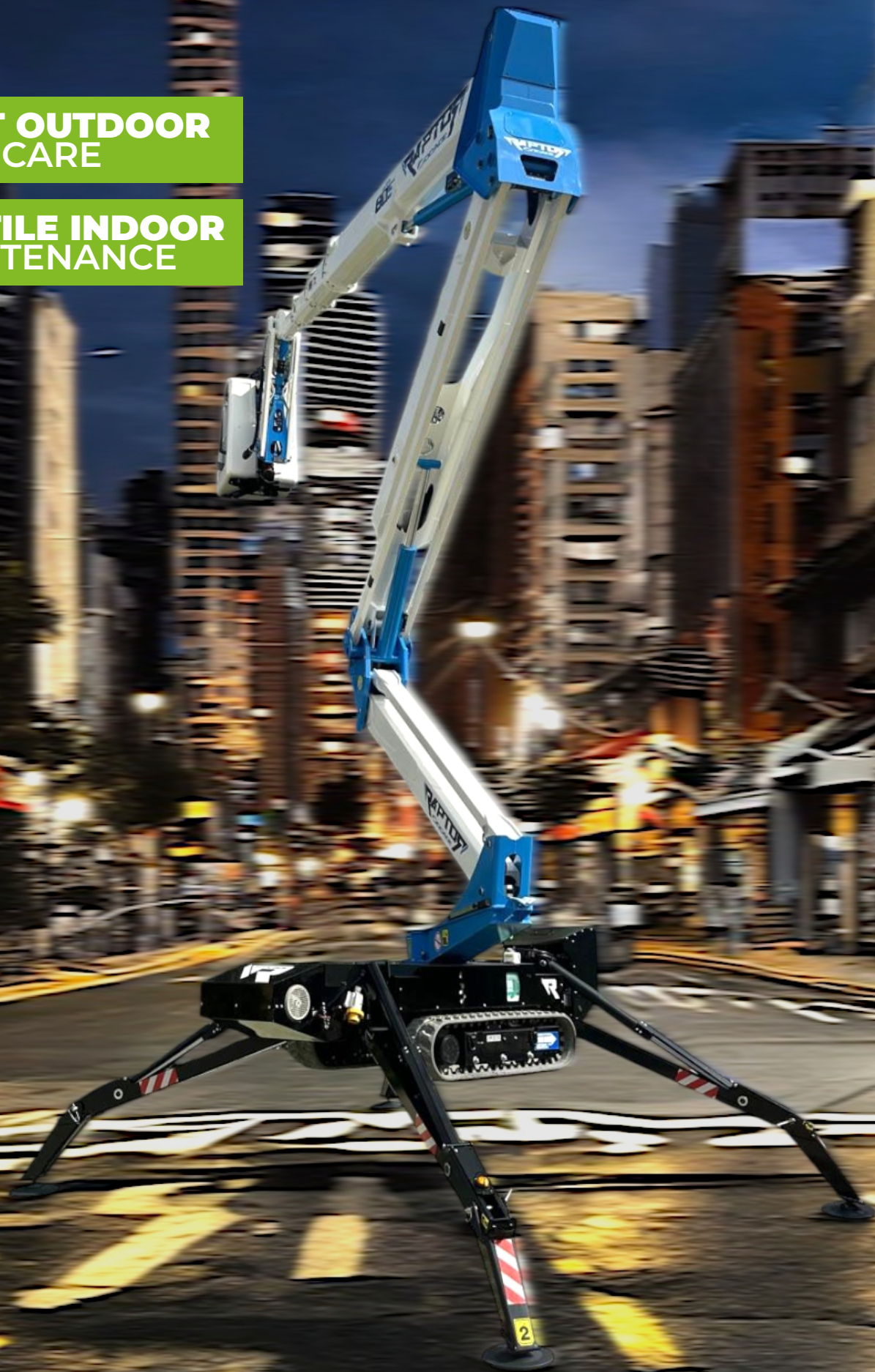
- WORKING HEIGHT**
80'
- BASKET HEIGHT**
73,4'
- MAX OUTREACH**
36,1'
- BASKET LOAD CAPACITY**
507 lb
- BASKET SIZE**
55" X 27,5" X 43"
- CONTROLS**
Electro - Hydraulic
- TURRET ROTATION**
380°
- GVW**
5732 lb
- SIZE**
112" x 112,4"
118,5" x 125,6"
- BASKET ROTATION**
60° + 60°
- LIFTING HOOK**
507 lb
- OUTRIGGERS**
Z+Z

SIZE



**ROBUST OUTDOOR
IN TREE CARE**

**VERSATILE INDOOR
IN MAINTENANCE**



RAPTOR 80S COMPACT IN SIZE, HEIGHT IN PERFORMANCE!

- FRENDLY USE, FAST AND EASY
- COMPACT AND LIGHT
- SELF LOADING AND EASY TO TRANSPORT
- HOOK APPLICATION

RAPTOR 80S High-quality compact crawler platform, perfect for the most inaccessible locations, with no limitations in the working area.

It is the ideal choice for professionals and rental companies seeking reliable solutions for both outdoor and indoor applications.

The **RAPTOR 80S** is a crawler lift platform with a maximum working height of 80 feet and a maximum lateral outreach of 36 feet.

It stands out for its load capacity of 507 lbs. (2 operators + materials). Another advantage of this aerial platform is the standard automatic stabilization and automatic closing, ensuring fast, simple, and safe operation.

This tracked platform comes standard with a multifunction remote control, allowing not only the movement of the aerial part but also providing increased safety and convenience for the operator.

Operator assistance feature with automatic stabilization, automatic closing, and automatic speed reduction, ensuring maximum comfort and safety at all times during operation!

Versatility with Bi-Energy

A sustainable platform with zero emissions: the standard bi-energy system, in addition to the diesel engine, includes a 120V electric motor, allowing emission-free operation. This is essential in enclosed spaces such as churches, airports, or factories.

- GO HOME FUNCTION AND AUTOMATICALLY STABILIZATION
- HOOK APPLICATION
- DUAL STABILIZATION CONFIGURATION SYSTEM

The **RAPTOR 80S** spider lift is characterized by its lightweight and compact dimensions. It features extendable tracks for better stability during movement, and it comes standard with white non-marking tracks, designed for indoor use. The tracks offer three different speed settings to meet various operational needs.

The 380° rotation of the aerial section, combined with the hydraulic jib and double articulation arm, ensures extensive maneuverability. All of these features make the raptor 80S one of the best platforms over 80 feet, offering the ideal balance between compact size and high performance on the market.

Advanced Innovation and Safety

The automatic speed control during aerial maneuvers allows the operator to work with greater fluidity and precision. Additionally, the *Raptor 80S* comes equipped with **MySocage** technology, enabling remote software updates and 24/7 machine support. This innovative system includes phone-based technical assistance provided by highly qualified technicians, ready to assist whenever needed.

Built with high-quality and durable steel arms, the **Raptor 80S** combines structural robustness with lightweight operation, ensuring precision and comfort during all tasks. It is the perfect choice for those seeking a compact, efficient, and high-performing solution capable of tackling the most complex aerial work challenges with reliability and safety.